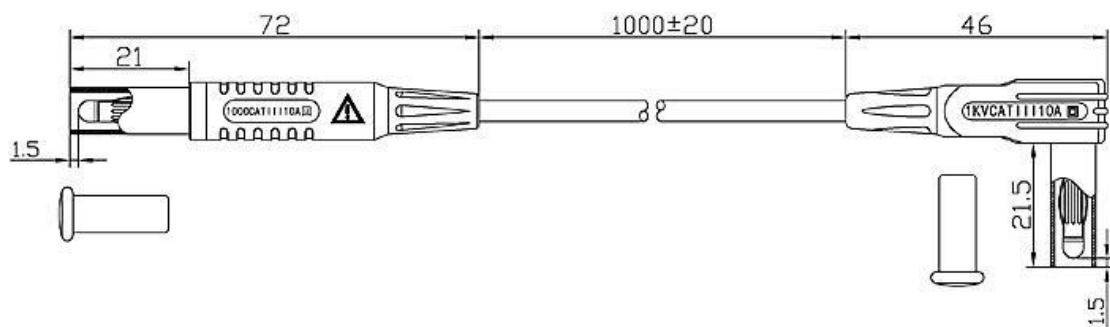


AstroAI 8-Piece Electronic Test Lead Kit

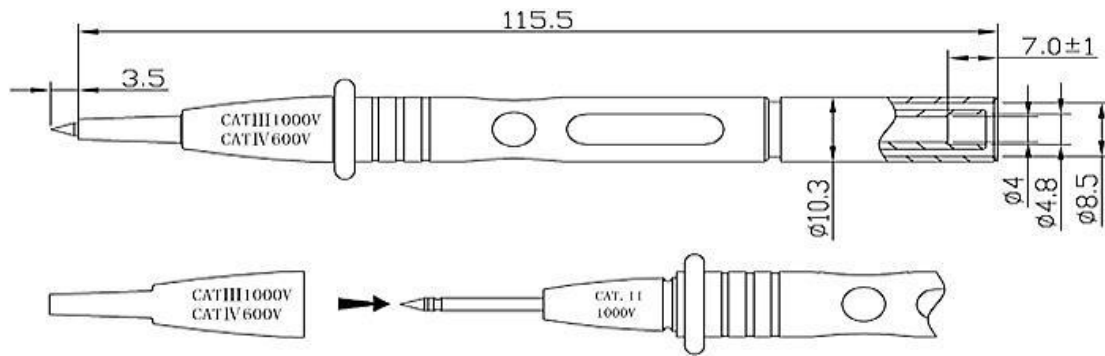
Thank you for purchasing the AstroAI Electronic Test Lead Kit. If you experience the need for any kind of help or support from our Customer Service team, you are welcome to contact us with your question via support@astroai.com and we will be sure to get back to you as soon as possible. Thanks again!



Φ4MM Test lead

- *Test Lead for Multimeters, Voltage Testers, etc.*
- *High Quality UL1803 18 AWG double-insulated wire*
- *4 mm straight Beryllium Copper test plug. Safety Cap included*
- *4 mm right angle Beryllium Copper plug on opposite end. Protective head and insulated sleeve included to avoid any accidental exposure*
- *Double injection for complete grip and highest safety*
- *Complies with IEC: 61010, EN: 61010*

Rated voltage	CAT III 1000V/CAT IV 600V
Rated current	10A
Standard lead	1000MM,PVC,UL1803 18AWG
Model no	<u>BC5520010</u>
Available color	<input checked="" type="checkbox"/> Red <input checked="" type="checkbox"/> Black <input type="checkbox"/> Guest for color



Φ2mm Test Probe

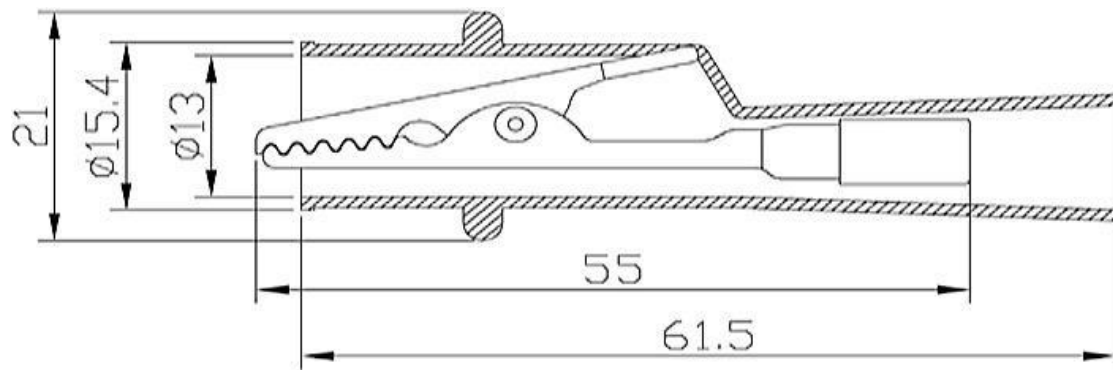
- *Test probe attaches to the testing instrument*
- *2 mm test probe constructed of brass on one side, with safety cap included*
- *4 mm rigid socket on the other end, accepting a 4 mm spring plug*
- *Complies with IEC/EN: 61010-031:2008*

Rated Voltage: CAT III 1000V

Rated Current: 10A

Craftwork : Double injection

Model Number: BC5540010



Crocodile Clamp

- *Toothed jaws grip wires*
- *2 mm rigid socket with M4 screw connection*
- *Covered by soft PVC insulation*
- *Complies with IEC/EN: 61010*

Rated voltage : CATIII 1000V

Rated current : 10A

Clamp opening : 8MM

Model Number:BC5530081



Φ4MM Test lead with Miniature Hook Clip

- *Test lead with miniature hook clip with integrated circuit and component leads for gripping PCBs*
- *1 pc. miniature hook clip on one end*
- *4 mm Beryllium copper plug on the other end*

Rated voltage: 30V AC/60V DC

Rated current: 2A

Standard lead:1000MM PVC Doubl- insulation

Model Number: BC5520180

AstroAI always wants to provide our customers with excellent products as well as customer service. To know more about us, please visit astroai.com.